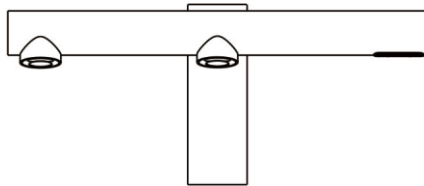


3-in-1 Tap Hand Dryer

PRODUCT MANUAL



Thank you for purchasing our products, please read this manual carefully before installation and use, so that it can be installed and used correctly. Please save it after reading it for future reference!

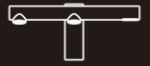
All information is based on the latest product information available at the time of publication. Our company reserves the right to make changes in product characteristics, packaging, or availability at any time without notice.

The company has the final interpretation right!

Flush the water supply pipes thoroughly to remove debris.

Faucet is designed for tap water or potable water.

3-IN-1 TAP HAND DRYER



Thank you for purchasing our products, please read this manual carefully before installation and use, so that it can be installed and used correctly. Please save it after reading it for future reference!

Warning

If you don't use the unit properly or follow the safety guidelines carefully, it would lead to serious personal injury.



Prohibited

■ Do not use in the following environment

- Wet environment
- High light intensity environments
(Otherwise, this may cause self-induction.)



• Used Indoors Only

Important!
Always follow
instructions
closely



Do not allow the
motor bucket
get wet

- **Do not allow the motor bucket get wet**
Otherwise, it will cause electric shock.



Prohibit
disassembling

- **Do not modify and disassemble the unit unnecessarily**

Otherwise, this may cause a fire, electric shock, or personal injury.



Important!
Always follow
instructions
closely

- ▲ **Installation work should be done by the qualified technician**
Incorrect wiring connection can cause electric shock and fire
- ▲ **The installation location should be strong enough to support the unit, and the unit should be installed firmly on the surface**
Otherwise, this may cause personal injury due to the unit falling.
- ▲ **Do not attempt to install the unit with the power on (power cord)**
Otherwise, it may cause electric shock.
- ▲ **Please install residual-current circuit breaker**
Otherwise, it will cause electric shock.
- ▲ **Use separate line**
Using any other electric appliance with the same line, may cause the branch socket to become hot and cause fire.

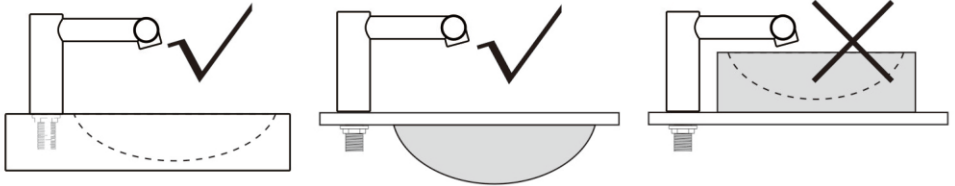
- ▲ **If the unit doesn't work, turn off the power and the ground - fault circuit breaker, and call your dealer to inspect and repair it if necessary.**
- ▲ **Before you clean the unit, turn off the power switch.**
- ▲ **If the power supply cord is damaged, it must be replaced by its service agent or a similar qualified person in order to avoid a hazard. Means for disconnection must be incorporated in the fixed wiring in accordance with the current wiring regulations.**

3-IN-1 TAP HAND DRYER

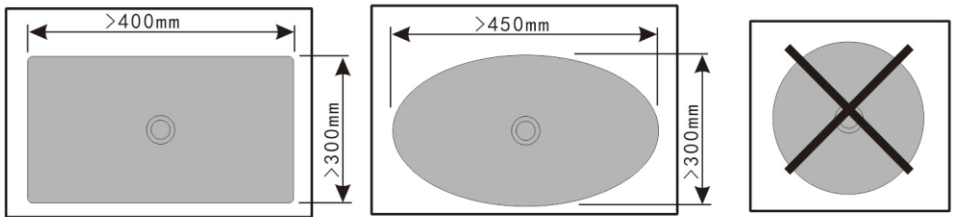


Thank you for purchasing our products, please read this manual carefully before installation and use, so that it can be installed and used correctly. Please save it after reading it for future reference!

Sink dimensions

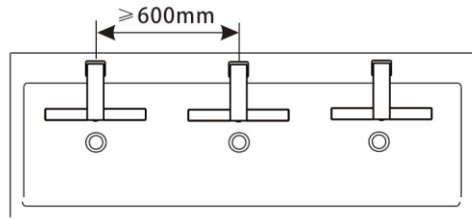


Size of sink minimum: 400mm x 300mm Internal depth of sink minimum : 100 mm



Tap mounting

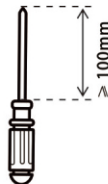
When multiple taps are installed side-by-side, tap centers should be a minimum of 600mm apart.



Installation Tools

Tools required

1. Electric drill (drill bit $\varnothing 6\text{mm}$)
2. Phillips screwdriver-long handle
3. Spanner



3-IN-1 TAP HAND DRYER

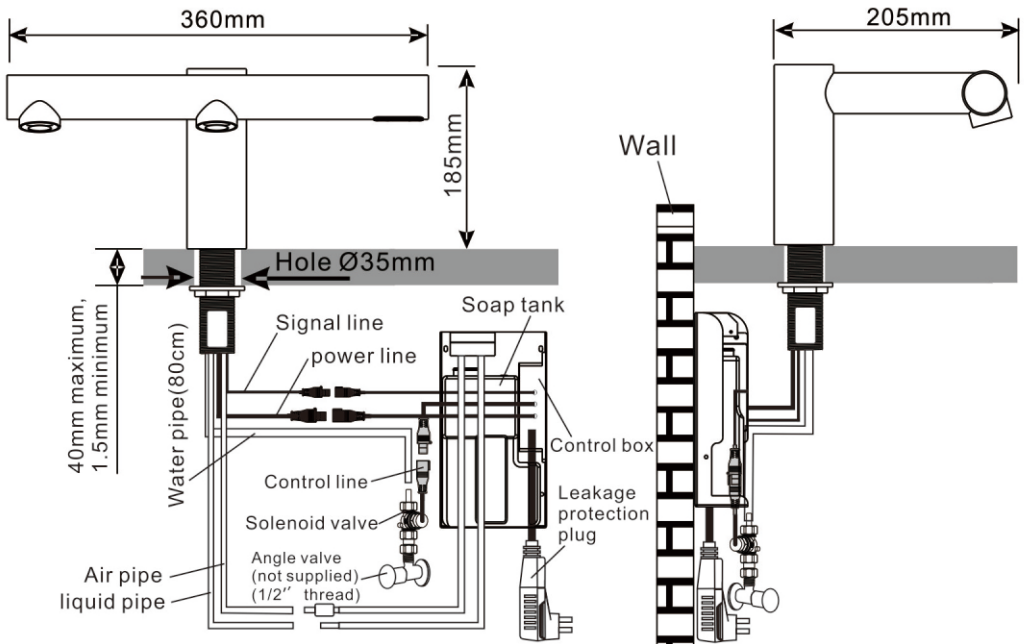


Thank you for purchasing our products, please read this manual carefully before installation and use, so that it can be installed and used correctly. Please save it after reading it for future reference!

Technical Parameter

Input Power	220-240VAC, 50/60Hz	Air Speed	80m/s
Total Power	1000W	Drying time	15-20s
Operating temperature range	5-40°C	Max drying time	60s
environment humidity	≤80%	Motor	Digital brushless DC motor
Sensing distance	3-12cm	Starting system	Infrared induction
Water Splash Proof	IPX4	Max Altitude	2000m
Mounting	Deck mounted	Inlet connection	G1 1/2"
Operating temperature range	1-55°C	Water pressure required	1-8 bar
Max water outlet time	60s	Opening hole diameter	φ 35mm
Tap Dimensions (mm)	360WX185HX205D	Min sink depth	100mm
Unfitted sink	Highly polished surfaces (This may cause self-induction)		

Part name/ Size

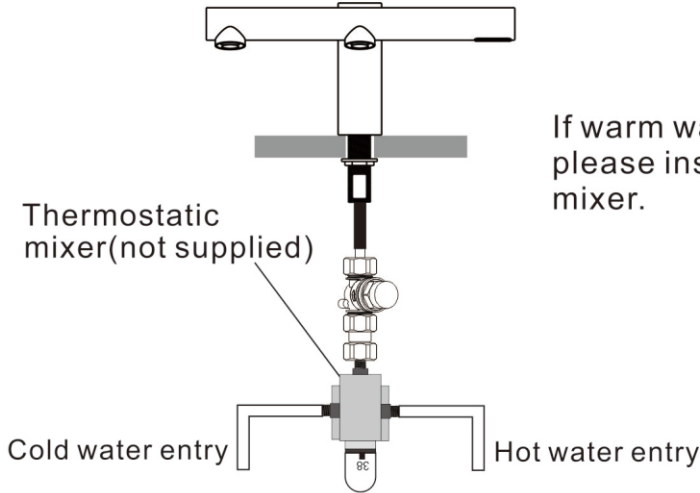


3-IN-1 TAP HAND DRYER



Thank you for purchasing our products, please read this manual carefully before installation and use, so that it can be installed and used correctly. Please save it after reading it for future reference!

Water temperature control



If warm water is needed, please install thermostatic mixer.

Packing List

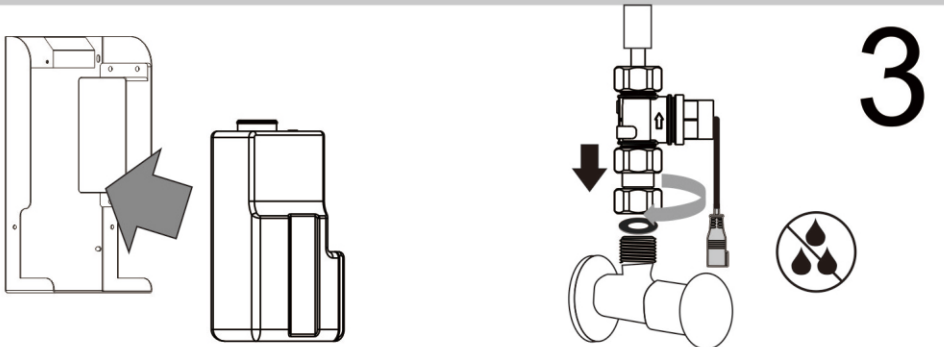
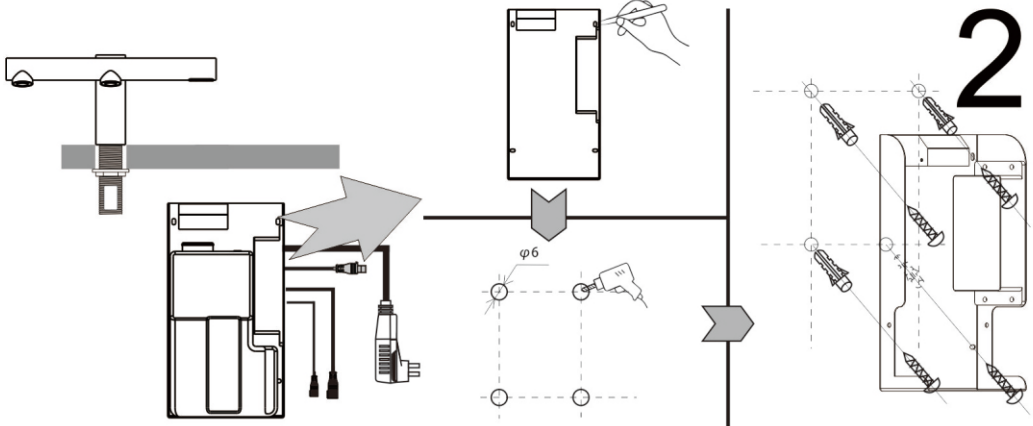
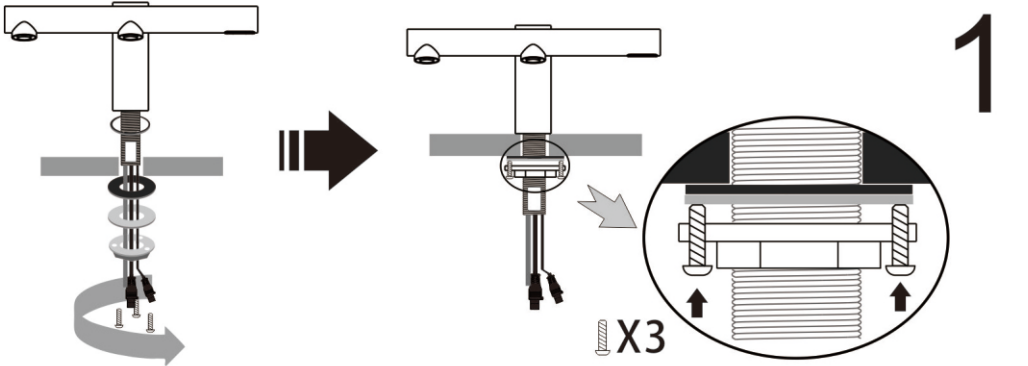
Number	picture	Quantity	Number	picture	Quantity
1		1	6		1
2		1	7		4
3		1	8		4
4		1	9		
5		1	10		

3-IN-1 TAP HAND DRYER



Thank you for purchasing our products, please read this manual carefully before installation and use, so that it can be installed and used correctly. Please save it after reading it for future reference!

Installation



3-IN-1 TAP HAND DRYER

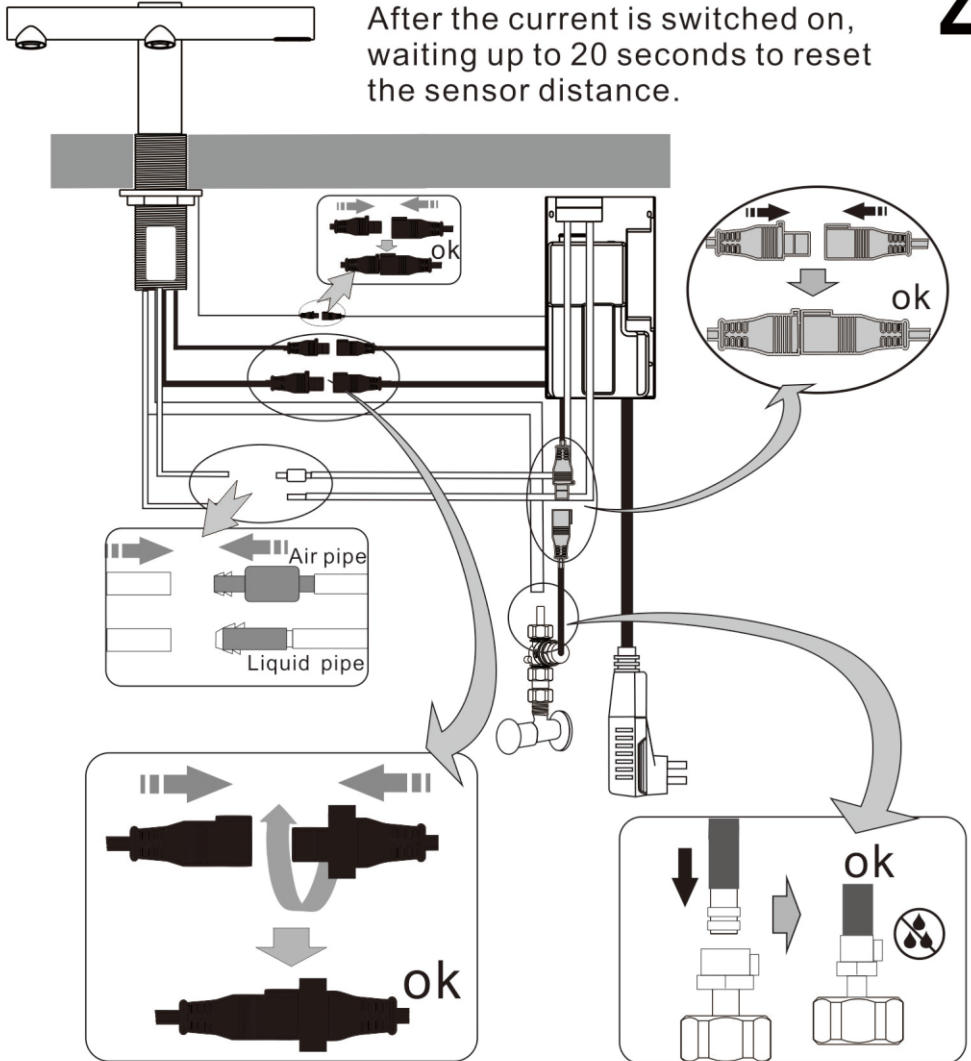


Thank you for purchasing our products, please read this manual carefully before installation and use, so that it can be installed and used correctly. Please save it after reading it for future reference!

Installation

Please note:
After the current is switched on,
waiting up to 20 seconds to reset
the sensor distance.

4



3-IN-1 TAP HAND DRYER



Thank you for purchasing our products, please read this manual carefully before installation and use, so that it can be installed and used correctly. Please save it after reading it for future reference!

Trouble shooting

Connectors between the electronic unit and solenoid are disconnected

Problem	Check	Solution
If the water indicator light is off when you sensor it, no water out and no air out.	There is no power or the wires are connected incorrect	Please check whether the power line is plugged in correctly or whether the socket is powered. Please check whether the wires are connected correctly.
	Your hands are too far from the sensor window.	Please put your hands in the sensor window area.
	There are obstacles or strong reflective objects under the sensor window.	Remove the obstacles or strong reflective objects
	Strong light or sunlight to the sensor window directly	Avoid strong light or sunlight to the sensor window directly
	The sensor window is too dirty	Clean it (Prohibited to use organic solvents)
If the water indicator light is off when you sensor it, no water out.	Angle valve is closed or the water is cut off	Make sure the water is not cut off and open the Angle valve.
	Water flow diminished	Remove, clean or re-install
Water flow from spout does not stop	Debris or scale in diaphragm	Clean the orifice or replace diaphragm
	Sensor is picking up reflections from the wash basin or another object	Eliminate cause of reflection.

Terms of guarantee:

- 1, The product warranty period is one year.
- 2, The service within warranty period for products, which came into effect from the date of buying the machine.
- 3, Within one year after purchasing, consumers find the machine failure caused by the product itself reason, then they can go to the purchasing place to maintenance and replace the machine for free with original invoices and completed and the quality assurance card stamped by dealers.
- 4, The following are not in the scope of free maintenance:
 - ◆ Improper use and the fault caused by demolition, alteration and repair by technical persons without our company authorization.
 - ◆ Fires, earthquakes, thunder and other natural disasters cause faults, and abnormal voltage causes the faults.
 - ◆ The faults caused by non matching power.
 - ◆ The faults caused by long time operation in bad working condition.
 - ◆ Not quality assurance card or the cards is flit not explicitly or correctly.
- 5, Over warranty period or it is not free maintained products, while our company remains committed to serving.